

HÄFELE

INSTRUCTION MANUAL WINE COOLER 46 BOTTLES FREESTANDING AND BUILT-IN



495.19.033

CONTENT

- Safety instructions & warnings..... 1
 - Installation..... 4
 - Description of the appliance..... 5
 - Operation..... 7
 - Troubleshooting..... 11
 - Maintenance and cleaning..... 12
-

SAFETY INSTRUCTIONS & WARNINGS

Your safety is of the utmost importance to our company. Please make sure that you read this instruction booklet before attempting to install or use the appliance. If you are unsure of any of the information contained in this booklet, please contact the Technical Department.



Prohibition



Warning



Caution



Caution

- This appliance can be used by children aged from 8 years and above and persons with reduced physical, sensory or mental capabilities or lack of experience and knowledge if they have been given supervision or instruction concerning use of the appliance in a safe way and understand the hazards involved.
Children shall not play with the appliance. Cleaning and user maintenance shall not be made by children without supervision.
- Children aged from 3 to 8 years are allowed to load and unload refrigerating appliances. Children should be supervised to ensure that they do not play with the appliance.
- This appliance is intended for HOUSEHOLD USE ONLY and not for commercial or industrial use.



Warning

- Keep ventilation openings, in the appliance enclosure or in the built-in structure, clear of obstruction.
- Do not use mechanical devices or other means to accelerate the defrosting process, other than those recommended by the manufacturer.
- Do not damage the refrigerant circuit.
- Do not use electrical appliances inside the storage compartments of the appliance, unless they are of the type recommended by the manufacturer.

-
- Make sure that the appliance is connected to power supply in accordance with the rating label.
 - Use an independent grounded socket with 10A or higher, do not connect to transformer or socket with multiple outlets.
 - Make sure socket is grounded properly and do not modify power cord & plug.
 - Connect power plug with socket firmly in case of possible risk of fire.
 - Plug should be within reach for easy disconnection after the appliance positioned in case of accidents occurred.
 - Do not store or burn gasoline or other inflammables near the appliance in case of possible fire.
 - Do not store inflammables, explosives, acid & alkaline liquids etc.in the compartment of the appliance.
 - Do not operate other appliances in the compartment

Child Safety

- Do not allow child play inside the appliance in case of entrapment.
- Do not allow child hang on the door to play in case of falling of the appliance.
- Do not allow child reach into compressor compartment or touch metal components at rear of the appliance in case of possible injury.

Keep away from water

- Do not spray water on the appliance or wash the appliance by pouring or filling water in case of invalid insulation and possible electric shock.

Be careful of freezing

- Do not touch surface of the liner inside the compartment, especially with wet hand, in case of frozen injury while the appliance is in operation.

Do not open the door for long periods

- Opening the door for long periods can cause a significant increase of the temperature in the compartments of the appliance.

Modification on the appliance not allowed

- Do not reconstruct the appliance by yourself which might cause damages to the appliance.

Unplug the appliance under certain conditions

- Unplug the appliance before cleaning & maintenance.
- Unplug the appliance when power cut occurred.

Disposal of the appliance

- Please according to local regulations regarding disposal of the appliance for its flammable refrigerant and blowing gas.
- Before you scrap the appliance, please take off the doors to prevent children trapped.
- Send the appliance to the designated disposal location.



Prohibition

Do not damage the power cord

- Do not disconnect the appliance by pulling power cord rather than pulling the plug.
- Do not set the appliance above the power cord or step on the cord intentionally.
- Put the power cord at right place when moving the appliance.

When the power cord is damaged

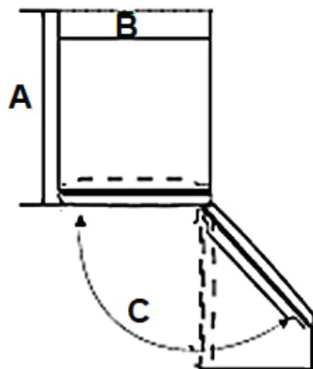
- Do not use damaged power cord, and get it replaced immediately by manufacturer service agent or by qualified electrician.
- If needed, extend the power cord with cord of 0.75 mm² or bigger by qualified electrician.

INSTALLATION

- ⚠ Do not lean the appliance over 45° when moving it to position.
- ⚠ The appliance must be put on flat, firm & dry floor or similar noncombustible pad; do not use the package foam pad.
- ⚠ Do not put the appliance in the wet place.
- ⊘ Do not use the appliance in the frozen place.
- ⊘ Do not use the appliance outdoor in case of sunlight or rain.
- ⚠ The suitable room temperature for installation, for example: this appliance has a climate rating of SN = +10°C to +32°C.
- ⚠ When installing two appliances side by side, maintain a 50 mm gap to prevent condensation between the units.
- ⚠ Use a cord to lay the mains plug to a freely accessible socket.
- ⚠ Please observe the additional front and lateral space requirement of the open door relevant to the door opening angle (C) of your appliance.

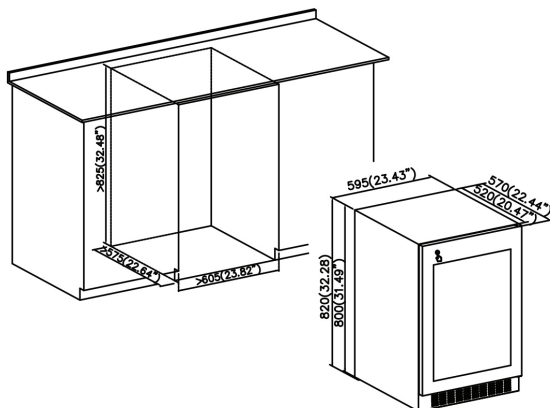
DIMENSIONS OF THE APPLIANCE

DEPTH (A)	570 mm
WIDTH (B)	595 mm
Height	820 mm
DOOR OPENING ANGLE (C)	Over 90 degrees



The appliance is designed to either build under the counter or stand alone on the floor.

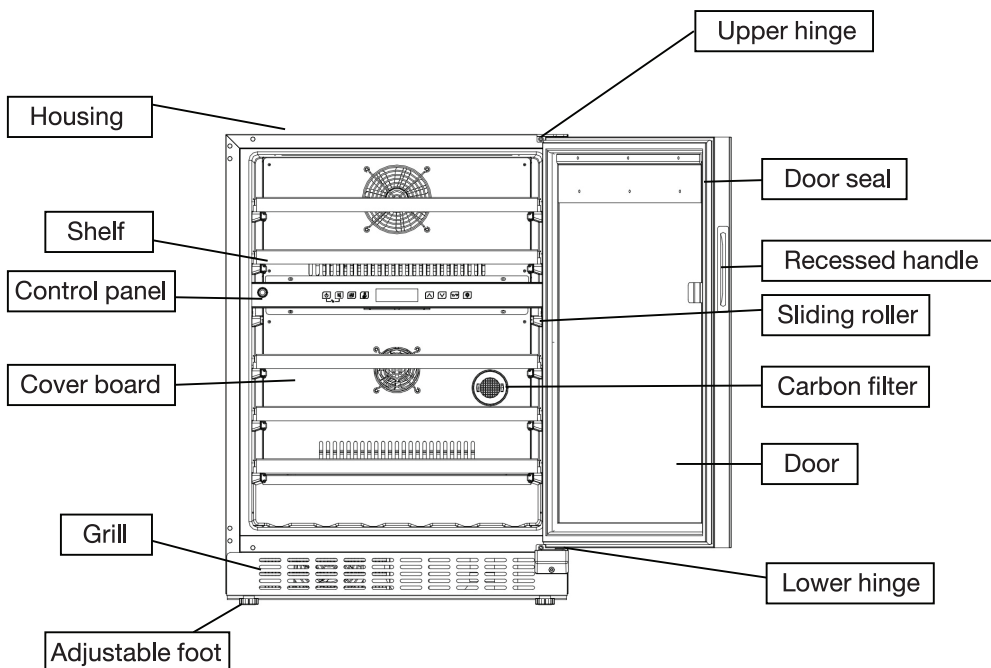
Demonstration for building under the counter:



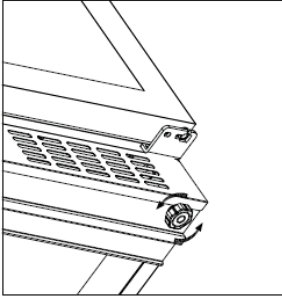
Wine bottles could be stored when you feel cooling inside after the appliance operates around 1 hour.

DESCRIPTION OF THE APPLIANCE

Accessories & name



Steps for adjusting the adjustable foot

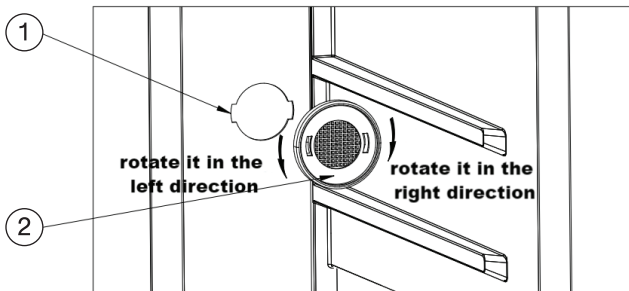


Adjust the box foot counterclockwise according to the diagram to increase the height of the product;
Clockwise adjustment reduces product height

Replace carbon filter

- Rotate the carbon filter (2) left or right to the gap of (1) (Ear positions on both sides of the circumference) and take it out.
- Insert the carbon filter (2) along the gap and rotate it in the left or right direction. Once it feels like it cannot be rotated, the installation is completed.

NOTE : Charcoal filter is optional. Replacing every 2 years should be scheduled if with.



OPERATION

Start operation

1. Cleaning the compartment

Before power on, clean inside of the appliance and check the drainage pipe in good connection. (For details, please refer to the “Maintenance and cleaning”)

2. Put the appliance still

Before power on, level the appliance on the firm & dry floor for at least 3 hours.

3. Power on

The appliance start operation and it will cool down inside after 1 hour, otherwise you should check the power connection.

Control panel



All keys would be invalid in lock mode. Please unlock first.

ON/OFF

1. Keep pressing the key 3 seconds, power down, goes to stand-by mode.
2. Keep pressing the key again 3 seconds to return back to normal working.

Sound elimination

Press the key can turn off the button sound and alarm sound.

Zone switch

Press the key to switch between upper zone and lower zone for choosing which zone to set temperature. Press the key once, the LCD display in chosen zone flash regularly. Press up and down key to set temperature. Press the key again; switch to other zone to set temperature.

Switch display actual temperature or set temperature

Under unlock status, press the key to switch to display actual temperature or set temperature.

Child Lock (Combination key)

1.Lock : Press both keys at the same time for 3 seconds to lock.

2.Unlock : Press both keys at the same time for 3 seconds to unlock.

UP

Press the key once, LCD Display in regular flash showing current set temperature.

Continue pressing to adjust set temperature, one press increase 1°C.

Regular flash quit after 5 seconds detecting no press and new set temperature saved.

LCD display return to show actual temperature inside.

Down

Press the key once, LCD Display in regular flash showing current set temperature.

Continue pressing to adjust set temperature, one press reduce 1°C.

Regular flash quit after 5 seconds detecting no press and new set temperature saved.

LCD display return to show actual temperature inside.

Fahrenheit/Celsius display interchang

Switch temperature display between Fahrenheit and Celsius by pressing and holding the key for 2 seconds.

Light

Press the key, turn on or turn off the LED lights inside. In stand-by mode, the key is invalid.

Electric push-rod control button

Press this button for a short time, and the button light flashes. At this time, the push-rod pushes the door open. The push rod will retract automatically after opening the door and the button light stops flashing.

Attention

- 1.The ex-factory temperature of this product is 12°C., and the corresponding temperature range needs to be set according to the actual wine.
- 2.For both upper and lower zone, the cooling temperature could be set from 5–22°C. And temperature of lower zone could only be set equal to or higher than that of upper zone.
- 3.Alarm sound: when the system malfunction occur and alarm sound, press any key on the control panel to cancel the alarm sound.
- 4.Error code:

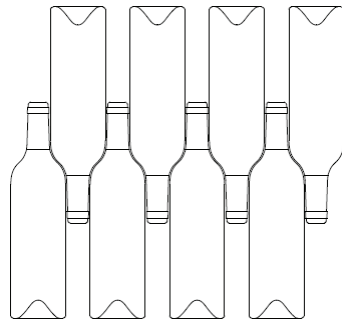
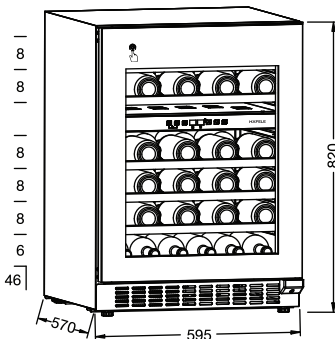
When the temperature sensor of upper zone failure occur, error code displays: E1 for open circuit; E2 for short circuit.

When the defrost sensor failure occur, error code displays: E3 for open circuit; E4 for short circuit.

When the temperature sensor of Lower zone failure occur, error code displays: E5 for open circuit; E6 for short circuit.

Wine storage

- Five been wooden shelves loading capacity: 46 bottles. (standard Bordeaux with 750ml)



-
- Loading capacity will vary in terms of different way of bottle arrangement or different bottle sizes.
 - Each shelf is designed to put on 1 or 2 layers of wine bottles. More than 2 layers of bottle arrangement on one shelf are not recommended.
 - Each shelf with sliding roller could pull out partly to store wine bottles easily.
 - Open the door straight enough before pulling out shelves.
 - If the wine cooler would have no load for a long time, it is recommended to power it off, clean it carefully, and open the door for ventilation.
 - Below table is the recommended temperature for wine storing & drinking:

Red Wine	15-18°C
White Wine	9-14°C
Rose wine	10-11°C
Champagne & sparkling wine	5- 8°C

TROUBLESHOOTING

The appliance makes lots of noise?	<ul style="list-style-type: none">• Please adjust the front foot, keep the appliance leveling.• Please keep the appliance a bit space from walls.
Liquid flowing sound inside the cabinet?	<ul style="list-style-type: none">• It is normal because of the refrigerant working inside.
The appliance does not start?	<ul style="list-style-type: none">• Make sure the appliance is connected to the power properly.• Make sure switch on the power.• The compressor re-starts after 5 minutes for a power cut.
Compressor runs continuously?	<ul style="list-style-type: none">• If no cold is being produced, call the after-sale service.
Door does not seal tightly?	<ul style="list-style-type: none">• After long time use, the door seal might get stiff & distorted partially.<ol style="list-style-type: none">1.Heat the door seal with hot-wind blower or hot towel.2.The door seal get softened and close the door.
The appliance does not cool sufficiently?	<ul style="list-style-type: none">• Please adjust temperature setting.• Keep the appliance away from sunlight or heat.• Please do not open the door frequently.
Unpleasant smells inside cabinet?	<ul style="list-style-type: none">• A little bit plastic smell for newly-buy appliance is normal and will disappear after a short time.• Clean the compartment and ventilate it for a few hours.
Condensate on the glass door?	<ul style="list-style-type: none">• Please do not open the door frequently or for a long time.• Please do not set the temperature too low.• High ambient temperature and humidity would cause condensate.
The light is not working?	<ul style="list-style-type: none">• Check the power supply first.• Call the retailer's after-sale service if the light is broken.

MAINTENANCE AND CLEANING

Cleaning

- Disconnect the appliance before cleaning.
- Clean the appliance with soft cloth or sponge by water.
- Do not use organic solvents, alkaline detergent, boiling water, washing powder or acid liquid etc.
- Do not flush the compartment of the appliance.
- Clean regularly surfaces that can come in contact with accessible drainage systems.

The below items will damage the surface of wine cooler:



Power cut

Most power cuts could be resolved within a short time. To protect your wines during a power cut, avoid opening the door as much as possible. During very long power cuts, take the necessary measures to protect your wine.

Out of service for long time

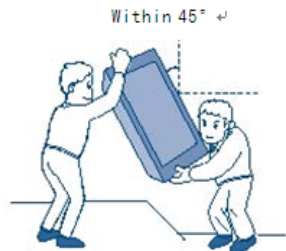
Remove all bottles from the appliance, switch off, defrost, clean, dry, and leave the door open to prevent mould developing within the appliance.



If the appliance is disconnected or if there is a power cut, you must wait at least five minutes before re-starting.

Moving the appliance

- Cut off the power supply and unplug the appliance.
- Remove all bottles from the appliance.
- When moving the appliance, do not lean the appliance over 45° C.



Remark:

1. The Net weight includes shelves and the Unit dimension is without handle on the door.
2. The manufacturer reserves all the rights to change the above parameters without prior notice. Please refer to the nameplate of your appliance.
3. Loading capacity will vary in terms of different way of bottle arrangement or different bottle sizes (standard Bordeaux with 750ml is applied here).
4. The product height could be adjusted from 825 to 870mm by 4 plastic feet

Online Warranty Registration

Online Warranty Registration
ลงทะเบียนรับประกันสินค้าออนไลน์



ง่ายกว่า รวดเร็วกว่า
สินค้ากลุ่ม Home Appliances
ระยะเวลาการรับประกัน เริ่มนับจากวันที่ออกใบกำกับสินค้า

Contact After sales service



Contact after sales service
Please scan the QR code.

ติดต่อบริการหลังการขาย
กรุณาสแกนคิวอาร์โค้ด

HAFELE (THAILAND) LIMITED

57 Soi Sukhumvit 64, Sukhumvit Rd, Phrakhanong Tai, Phrakhanong, Bangkok 10260

Telephone : (02) 768-7171 Fax : (02) 741-7272

Opening hours Monday - Friday 8:00 a.m. - 5:00 p.m. Saturday 9:00 a.m. - 4:00 p.m. Sunday: closed